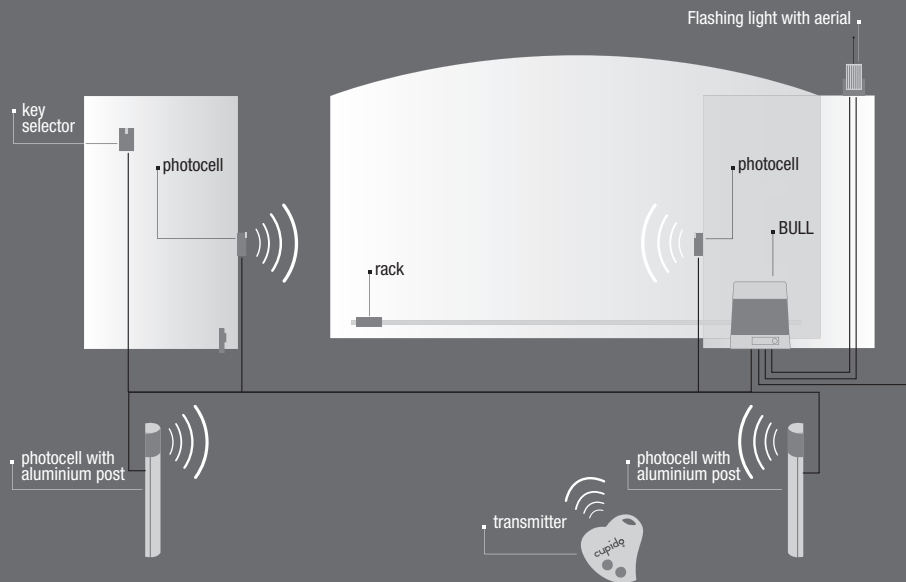
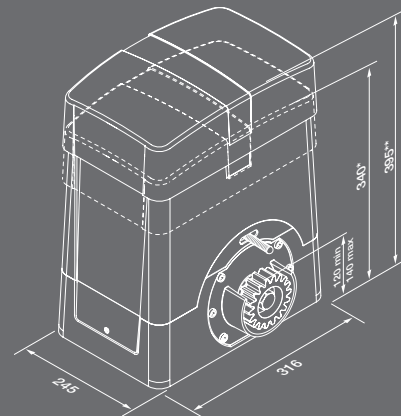


INSTALLATION DRAWING



DIMENSIONS



* BULL 15M/BULL10M
** BULL 20M