

High-Speed Surveillance with a B/W Camera



The CyberDome Classic features a B/W camera sensitive to 0.1 lux. CyberDome shown with 7-in. Pendant-CyberMount housing.

The CyberDome® Classic is a high-speed surveillance dome with an integrated B/W camera sensitive to 0.1 lux, a 16X auto focus zoom lens, and a built-in receiver. Two video transmission options are available: coaxial or UTP (unshielded twisted-pair), which can transmit real-time video over standard UTP telephone wire.

Additional features include programmable 2X - 8X digital zoom; auto iris with manual override; auto or manual focus; backlight compensation; 64 programmable presets; 16 preset and area titles; up to four camera tours; and auto return-to-tour, -home, and -autopan.

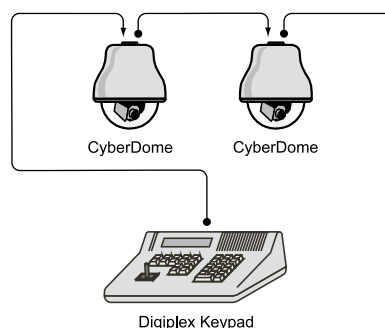
Also provided is **line lock**, a feature that synchronizes all CyberDomes' vertical phases to prevent picture roll during video and switching operations.

The CyberDome Classic is available in five housing formats. All are simple to install, and most feature twist-on¹ dome attachments and a quick-release connector that facilitates removal of the pan/tilt

assembly. Most domes may be ordered with clear, bronze, smoke, or mirrored acrylic finishes.^{2,3}

The CyberDome Classic's camera provides a full range of pan, tilt, and zoom movements that can be controlled with speeds up to 400° per second between preset positions. Manual control speeds vary between 0.5° and 120° per second. Optical disk readers keep track of the camera's position, and high-quality gold slip rings enable a full 360° pan.

High-grade, continuous-duty stepper motors power the smooth movements of the pan/tilt assembly.



Features

- Integrated B/W camera
- UTP video transmission option
- 16X optical zoom lens
- Auto/manual focus
- 0.1 lux sensitivity
- 2X - 8X digital zoom
- 500 TV lines of resolution (B/W)
- Backlight compensation
- 360° continuous pan
- 64 programmable presets
- 16 preset and area titles
- Up to four camera tours
- Auto return function
- **Line lock**

These microprocessor-controlled motors provide clean, variable speed control for precise manual operation at the highest magnifications with a preset accuracy to 0.01°.

After the camera is installed, auto/manual focus, digital zoom, backlight compensation, and other options can be programmed and controlled remotely. All CyberDomes use a 24-VAC power input and are controlled via twisted-pair wire. Terminal strips are provided for cable connections. An optional heater and fan is available for outdoor applications.

Variable Speed Control

A Digiplex® keypad can control multiple CyberDomes with speeds up to 400° per second between preset positions.

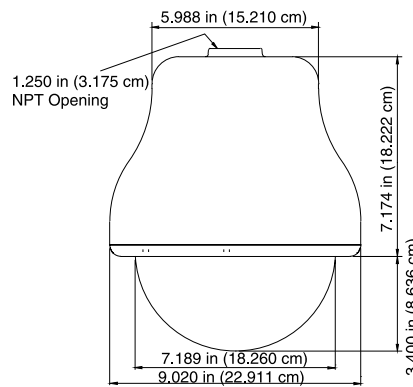
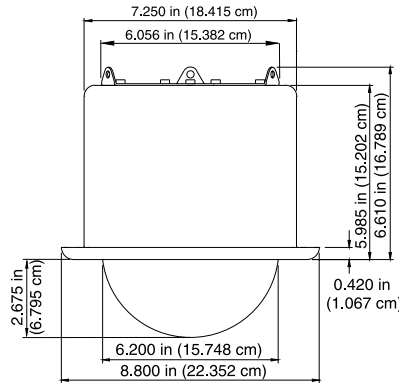
¹ Heavy-Duty dome does not twist on.

² PressurDome available only with clear and bronze finishes.

³ Heavy-Duty available only with clear, smoke, and bronze finishes.

6-in. Flush-Mount

Designed for indoor use, Kalatel's 6-in. Flush Mount housing is ideal for situations where space is limited. Its low, 6.2-in. clearance requirements make it easy to install in almost any ceiling.



7-in. Pendant-Mount

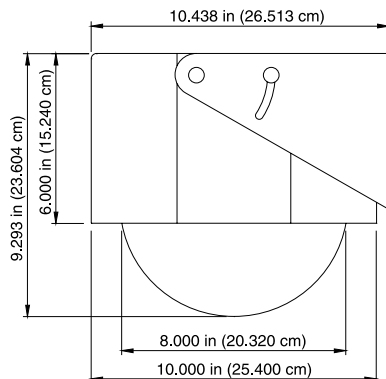
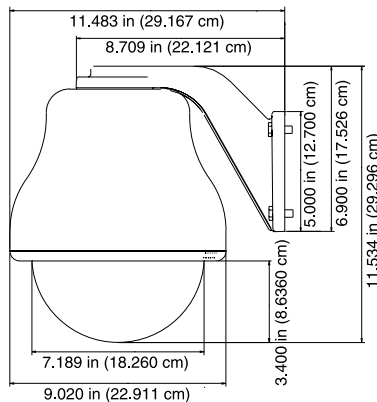
The 7-in. Pendant-Mount housing enables a CyberDome to be mounted from a ceiling or pole.

Because this model is weather-resistant, it can be used indoors or outdoors. An optional heater and fan is available for outdoor applications.

7-in. Wall-Mount

The Wall-Mount housing features pendant-mount housing with the CyberMount, an integrated wall-mount bracket that allows 7-in., pendant-style CyberDomes to be mounted from walls or corners.

This model is weather-resistant. An optional heater and fan is available for outdoor applications.



8-in. Heavy-Duty

Designed to withstand physical abuse, the Heavy-Duty housing is perfect for applications where vandalism is a problem. It features a thick, aluminum, upper housing unit and an impact-resistant, acrylic dome. Extra strong polycarbonate domes are also available.

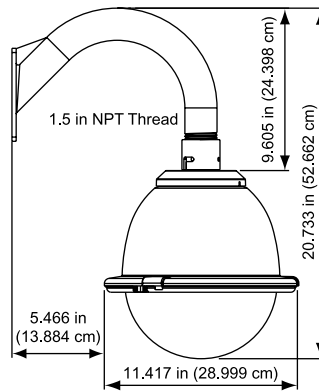
Because this model is weather-resistant, it can be used indoors or outdoors. An optional heater and fan is available for outdoor applications.

CyberDome Classic

Product Specification

PressurDome

The PressurDome is an airtight housing chamber that can be filled with 3 to 5 psi of inert dry nitrogen. This unique feature eliminates the effects of dust, moisture, and other contaminants on valuable surveillance equipment—making it perfect for indoor and outdoor applications where harsh environmental conditions exist. See the PressurDome product specification for further details.



KTA- [] [] [] - [] [] []

CyberDome Classic Ordering Table

Use this table to determine the model number that corresponds to the desired configuration.

Housing		Dome Finish		Camera Type		Video Transmission	
F	6-in. Flush-Mount	2	Bronze	B1	16X B/W NTSC	C	Coaxial Video
H	7-in. Pendant-Mount	3	Clear	B2	16X B/W PAL	T	UTP (Unshielded Twisted-Pair)
HE	7-in. Pendant-Mount with Heater and Fan	4	Smoke*				
C	7-in. Pendant-CyberMount	6	Chrome Mirrored†				
CE	7-in. Pendant-CyberMount with Heater and Fan	7	Gold Mirrored‡				
D	8-in. Heavy-Duty	8	Polycarbonate Clear‡				
DE	8-in. Heavy-Duty with Heater and Fan	9	Polycarbonate Smoke‡				
PE	PressurDome with Heater and Fan						

*Not available for PE housing option.
 †Not available for D, DE, or PE housing options.
 ‡Available only for D and DE housing options.

Accessories

	Swing Mount KTA-21	Ceiling Panel KTA-22-6	Ceiling Ring KTA-23-6	T-Bar Support Kit KTA-24-6	Corner-Mount Adapter KTA-25 and 25W	Pole-Mount Adapter KTA-26 and 26W	Roof-Mount Adapter KTA-27 and 27W	Parapet Capping Bracket KTA-29SN, 29SW, 29CN, 29CW Heater and Fan E Option	Multiple Output Power Supply* KTP-24-8*	100 VA Single Output Outdoor Power Supply KTP-24	56 VA Single Output Outdoor Power Supply KTP-24C	Gooseneck Wall-Mount KTA-30
6-in. Flush-Mount		•	•	•					•	•	•	
7-in. Pendant-Mount	•							•	•	•	•	
7-in. Wall-Mount					•	•	•	•	•	•	•	
8-in. Heavy-Duty					•	•	•	•	•	•	•	
PressurDome					•	•	•	•	•	•	•	•

* The KTP-24-8 cannot be used in conjunction with the E Option.

Technical Specifications[†]

Electrical

Input Voltage: Isolated 24 VAC,
60 Hz (50 Hz PAL Option)

Power

6-in. Domes: 16 VA
7-in. Domes: 16 VA (51 VA with E Option)
8-in. Heavy-Duty: 16 VA (91 VA with E Option)

Control

Input Signal: RS422
Signal Format: Digiplex 4800 baud

Video Output: Composite, 1.0 V pk-pk

Connectors

Coaxial

Video: BNC
Control: Two-position terminal strip
Power Input: Two-position terminal strip

Unshielded Twisted-Pair (UTP)

Video: Twisted-pair
Control: Two-position terminal strip
Power Input: Two-position terminal strip

Mechanical

Weight (includes housing, dome, and heaviest PTZ)

Flush: 4.28 lb
Pendant: 4.20 lb (4.35 lb w/ heater and fan)
Wall-Mount: 4.70 lb (4.85 lb w/ heater and fan)
HD: 11.80 lb (11.90 lb w/ heater and fan)

Construction

Pan/Tilt: 0.125-in. aluminum/delrin frame
CyberMount: 0.125-in. ABS plastic

Housing

Pendant: 0.125-in. ABS plastic
HD: 0.187-in. aluminum
Flush: 0.125-in. fire-retardant ABS plastic
Dome: 0.060-in. acrylic or 0.135-in. polycarbonate

Finish

Pendant: Gray
CyberMount: Gray
HD: Gray
Pan/Tilt: Black
Camera: Black
Dome: Clear, bronze, smoke,
chrome mirrored, or gold mirrored

Operational

Pan Travel: 360°
Tilt Travel: 90°
Speed
Manual: 0.5° - 120°/sec variable
Preset: Up to 400°/sec,
200°/sec average point to point

Optical

Light Loss: Smoke dome = ½ f-stop
Bronze dome = 1 f-stop
Mirrored dome = 2 f-stops

B/W Camera

Signal Format: EIA or CCIR
Scanning System: 2:1 interlacing
Scanning Frequency
Horizontal: 15.734 kHz NTSC, 15.625 kHz PAL
Vertical: 59.94 Hz NTSC, 50 Hz PAL
Image Sensor: 1/4-in. solid-state interline transfer
CCD image sensor
Total Pixels: 537 (H) x 505 (V), 270K EIA/
537 (H) x 597 (V), 320K CCIR
Effective Pixels: 510 (H) x 492 (V), 250K EIA/
500 (H) x 582 (V), 290K CCIR
Lens: F1.6 f = 4-64 mm, 16X zoom,
auto focus
Angle of View: H: 47° (wide), 4° (tele)
Focus Length: Inf. -0.01 m (wide), -1.0 m (tele)
Sync. System: Internal, line lock
Horizontal Resolution: More than 500 TV lines NTSC/
more than 490 TV lines PAL
Signal to Noise Ratio: More than 46 dB
Sensitivity: 0.1 lux [AGC on, F1.6 (wide)]

Ratings and Certifications

Pan/tilt unit: UL-recognized component,
E210367. Compliant to
UL standard 2044.

[†]For details about the PressurDome, see the PressurDome product specification.

Replacement Components

	B/W NTSC Camera	B/W PAL Camera	Clear Lower Dome Assembly	Smoke Lower Dome Assembly	Tinted Lower Dome Assembly	Polycarbonate Clear Lower Dome	Polycarbonate Smoke Lower Dome
6-inch Flush-Mount	A0006A322	A0006A323	A0006A332	A0006A333	A0006A331	NA	NA
7-inch Pendant	A0006A322	A0006A323	A0007A332	A0007A333	A0007A331	NA	NA
8-inch Heavy-Duty	A0006A322	A0006A323	A0008A342	A0008A343	A0008A341	A0008A344	A0008A345
PressurDome	A0006A322	A0006A323	A0008A532	NA	A0008A531	NA	NA

Mailing Address

PMB-225, PO Box 3004
Corvallis, OR 97339, USA
www.kalatel.com

Americas

800-469-1676 (US only)
tel 541-754-9133
fax 541-754-7162

Asia

tel 852-2907-8108
fax 852-2142-5063

Australia

tel 61-3-9259-4700
fax 61-3-9259-4799

Europe

tel 32-50-51-32-34
fax 32-50-51-66-28